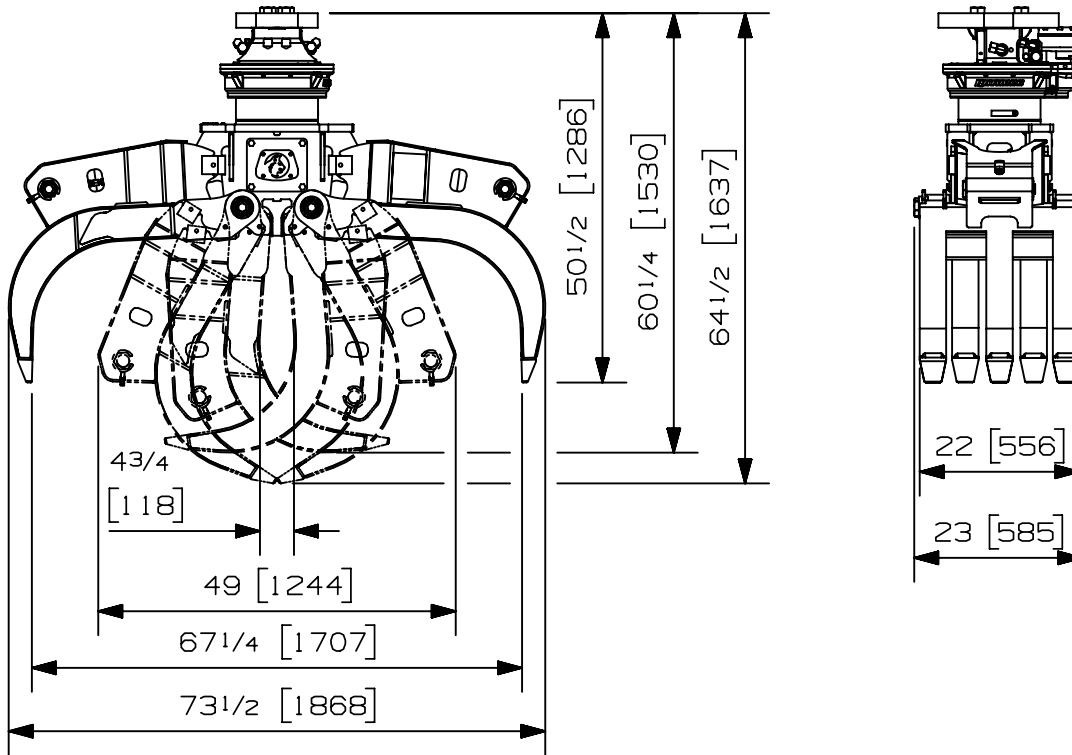


Max load:	- lb	- kg
Volume:	.22 cord of 8 ft	.82 m ³
Area tip to tip:	3.60 ft ²	.33 m ²
Rotator lifting capacity:	50000 lb	22680 kg
Torque at relief pressure:	18140 lb-in	2050 Nm
	913 psi	63 bars
Weight:	1560 lb	708 kg

Rotator	Maximum pressure: 4200 psi 290 bars	Recommended flow: 8 gpm 30 l/min
Rotator recommended flow will produce a maximum speed of 15 rpm		

Cylinder	Diameter	Recommended pressure	Pressure range	Flow range	Lock valves
Standard	3 " (76 mm)	4300 psi (296 bars)	3600 - 5000 psi (248-345 bars)	10 - 15 gpm (38-57 l/min.)	No
Optional	3 1/2 " (89 mm)	3000 psi (207 bars)	2500 - 3500 psi (172-241 bars)	14 - 21 gpm (53-79 l/min.)	No

Grapple cylinder maximum flow will theoretically produce a complete grapple open/close cycle in 4 seconds.



Options:

- Load Holding Valve (9 lbs / 4 kg)
- Mini heel set (22 lbs / 10 kg)
- See also RGP-502 Option for more options

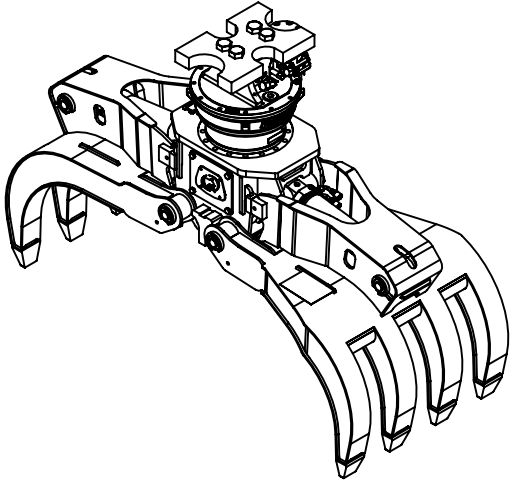
web site: www.rotobec.com

email: rotobec@rotobec.com

Rotobec Inc.: Head office serving OEM's and Eastern Canada Ph: (418) 383-3002 Fax: (418) 383-5334
Rotobec West: Branch serving Western Canada and Western USA Ph: (250) 765-1161 Fax: (250) 765-0035
Rotobec USA: Branch serving Eastern and Central USA Ph: (603) 444-2103 Fax: (603) 444-0327

We reserve the right to change specifications and to improve our products without notice or obligation.

07010-3944
03/12/2020 P.B.

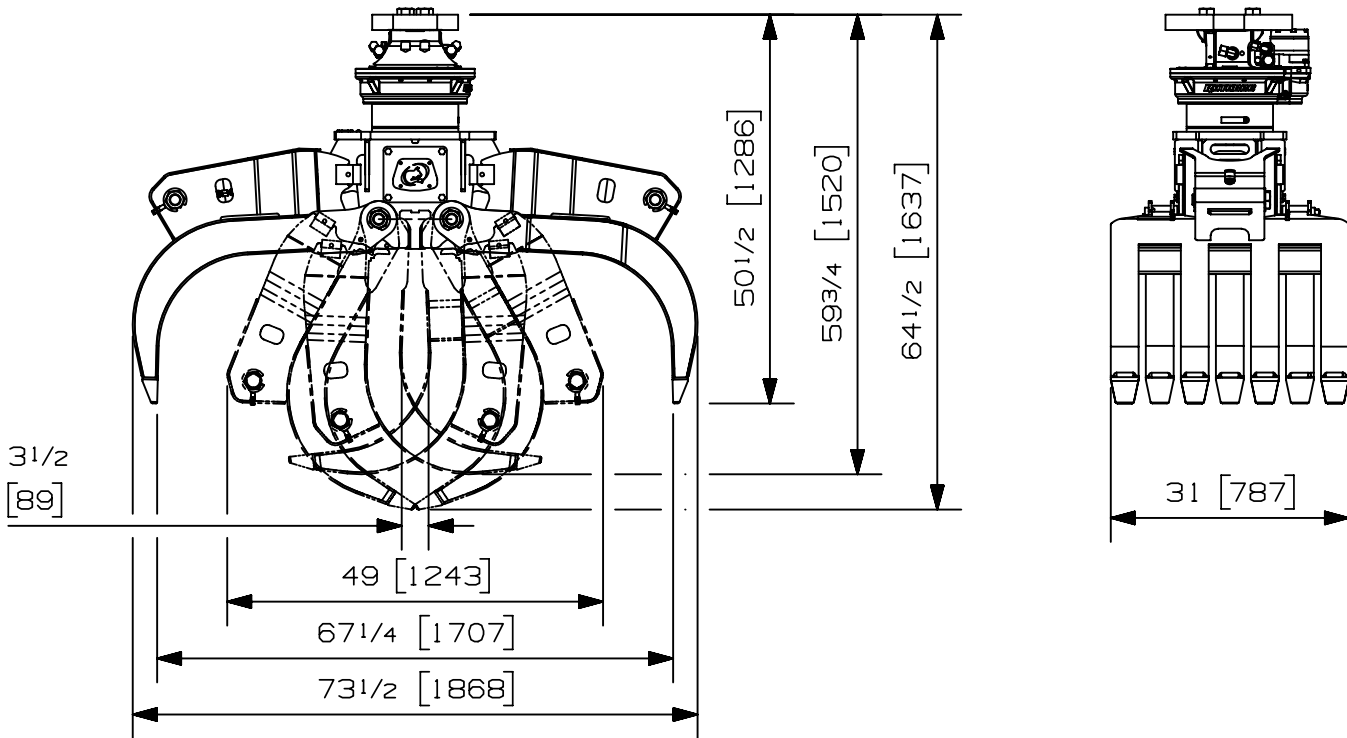


Max load:	n/a lb	n/a kg
Volume:	.23 cord of 8 ft	.83 m ³
Area tip to tip:	3.60 ft ²	.33 m ²
Rotator lifting capacity:	50000 lb	22680 kg
Torque at relief pressure:	18140 lb-in 913 psi	2050 Nm 63 bars
Weight:	1645 lb	746 kg

Rotator	Maximum pressure: 4200 psi 290 bars	Recommended flow: 8 gpm 30 l/min
Rotator recommended flow will produce a speed of 15 rpm		

Cylinder	Diameter	Recommended pressure	Pressure range	Flow range	Lock valves
Standard	3 " (76 mm)	4300 psi (296 bars)	3600-5000 psi (248-345 bars)	10-15 gpm (38-57 l/min.)	no
Standard	3 1/2 " (89 mm)	3000 psi (207 bars)	2500-3500 psi (172-241 bars)	14-21 gpm (53-79 l/min.)	no

Grapple cylinder maximum flow will theoretically produce a complete grapple open/close cycle in 4 seconds.



Options:

- CounterBalance valve option (9 lbs / 4 kg)
- Mini heel set (22 lbs / 10 kg)
- See also RGP-502 option for more options

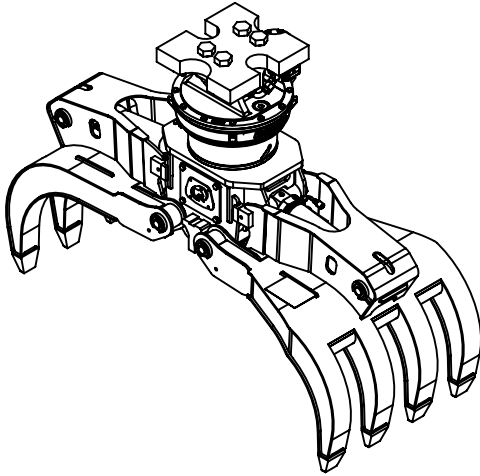
web site: www.rotobec.com

email: rotobec@rotobec.com

Rotobec Inc.: Head office serving OEM's and Eastern Canada Ph: (418) 383-3002 Fax: (418) 383-5334
Rotobec West: Branch serving Western Canada and Western USA Ph: (250) 765-1161 Fax: (250) 765-0035
Rotobec USA: Branch serving Eastern and Central USA Ph: (603) 444-2103 Fax: (603) 444-0327

We reserve the right to change specifications and to improve our products without notice or obligation.

07003-7821
08/01/19 D.L.

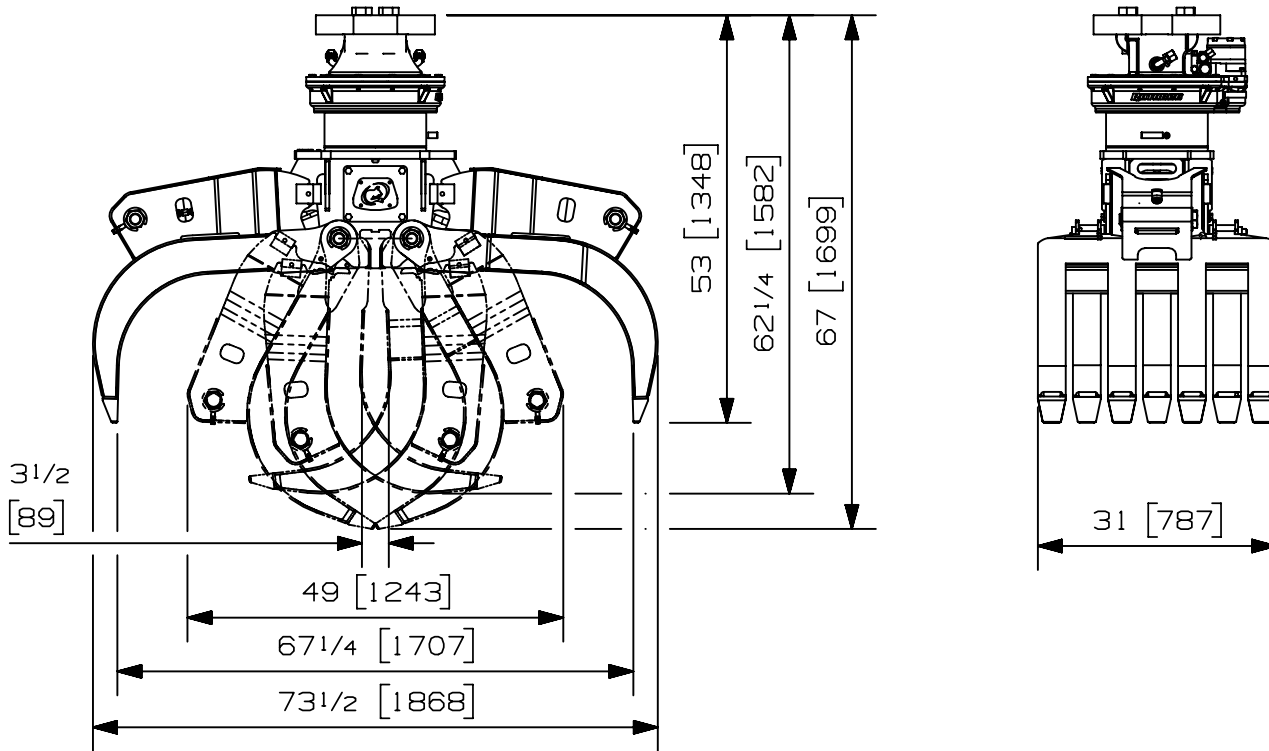


Max load:	n/a lb	n/a kg
Volume:	.23 cord of 8 ft	.83 m ³
Area tip to tip:	3.60 ft ²	.33 m ²
Rotator lifting capacity:	100000 lb	45359 kg
Torque at relief pressure:	21770 lb-in	2460 Nm
	913 psi	63 bars
Weight:	1915 lb	869 kg

Rotator	Maximum pressure: 4200 psi 290 bars	Recommended flow: 6 gpm 23 l/min
Rotator recommended flow will produce a speed of 10 rpm		

Cylinder	Diameter	Recommended pressure	Pressure range	Flow range	Lock valves
Standard	3 " (76 mm)	4300 psi (296 bars)	3600-5000 psi (248-345 bars)	10-15 gpm (38-57 l/min.)	no
Standard	3 1/2 " (89 mm)	3000 psi (207 bars)	2500-3500 psi (172-241 bars)	14-21 gpm (53-79 l/min.)	no

Grapple cylinder maximum flow will theoretically produce a complete grapple open/close cycle in 4 seconds.



Options:

- CounterBalance valve option (9 lbs / 4 kg)
- Mini heel set (22 lbs / 10 kg)
- See also RGP-1002 option for more options

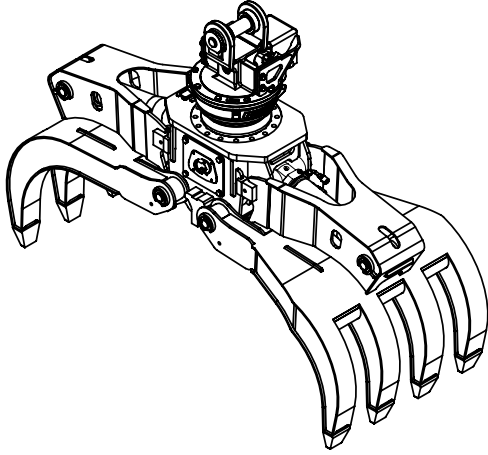
web site: www.rotobec.com

email: rotobec@rotobec.com

Rotobec Inc.: Head office serving OEM's and Eastern Canada Ph: (418) 383-3002 Fax: (418) 383-5334
Rotobec West: Branch serving Western Canada and Western USA Ph: (250) 765-1161 Fax: (250) 765-0035
Rotobec USA: Branch serving Eastern and Central USA Ph: (603) 444-2103 Fax: (603) 444-0327

We reserve the right to change specifications and to improve our products without notice or obligation.

07003-3870
08/01/19 D.L.

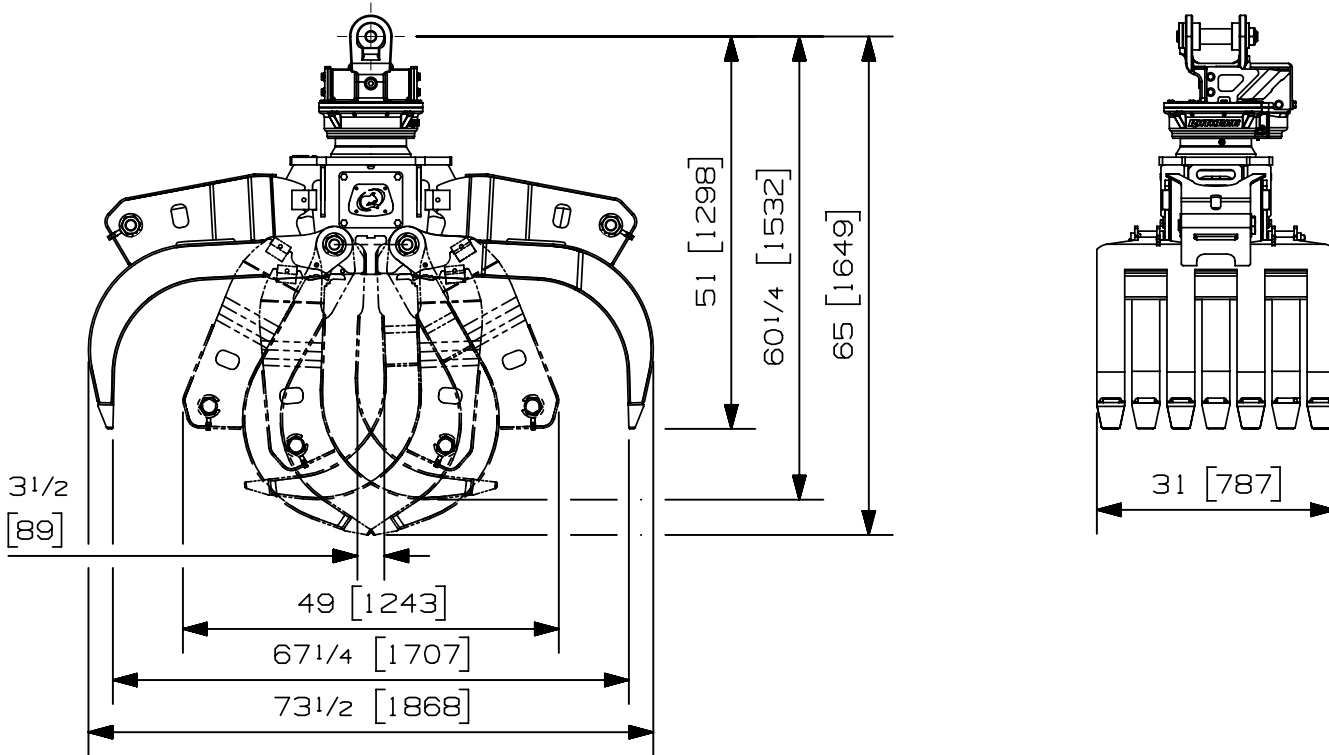


Max load:	n/a lb	n/a kg
Volume:	.23 cord of 8 ft	.83 m ³
Area tip to tip:	3.60 ft ²	.33 m ²
Rotator lifting capacity:	32000 lb	14515 kg
Torque at relief pressure:	16150 lb-in	1825 Nm
	1450 psi	100 bars
Weight:	1500 lb	680 kg

Rotator	Maximum pressure: 5000 psi 345 bars	Recommended flow: 9 gpm 34 l/min
Rotator recommended flow will produce a speed of 30 rpm		

Cylinder	Diameter	Recommended pressure	Pressure range	Flow range	Lock valves
Standard	3 " (76 mm)	4300 psi (296 bars)	3600-5000 psi (248-345 bars)	10-15 gpm (38-57 l/min.)	no
Standard	3 1/2 " (89 mm)	3000 psi (207 bars)	2500-3500 psi (172-241 bars)	14-21 gpm (53-79 l/min.)	no

Grapple cylinder maximum flow will theoretically produce a complete grapple open/close cycle in 4 seconds.



Options:

- CounterBalance valve option (9 lbs / 4 kg)
- Mini heel set (22 lbs / 10 kg)
-
-

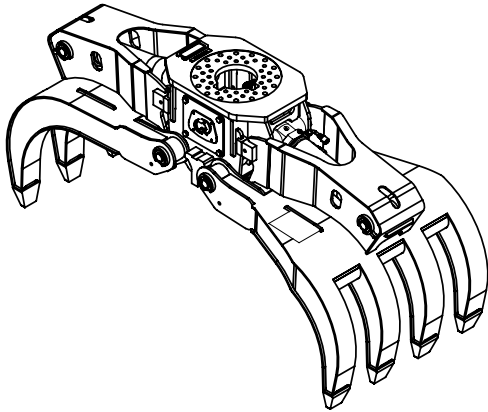
web site: www.rotobec.com

email: rotobec@rotobec.com

Rotobec Inc.: Head office serving OEM's and Eastern Canada Ph: (418) 383-3002 Fax: (418) 383-5334
Rotobec West: Branch serving Western Canada and Western USA Ph: (250) 765-1161 Fax: (250) 765-0035
Rotobec USA: Branch serving Eastern and Central USA Ph: (603) 444-2103 Fax: (603) 444-0327

We reserve the right to change specifications and to improve our products without notice or obligation.

07007-7314
05/01/18 D.L.

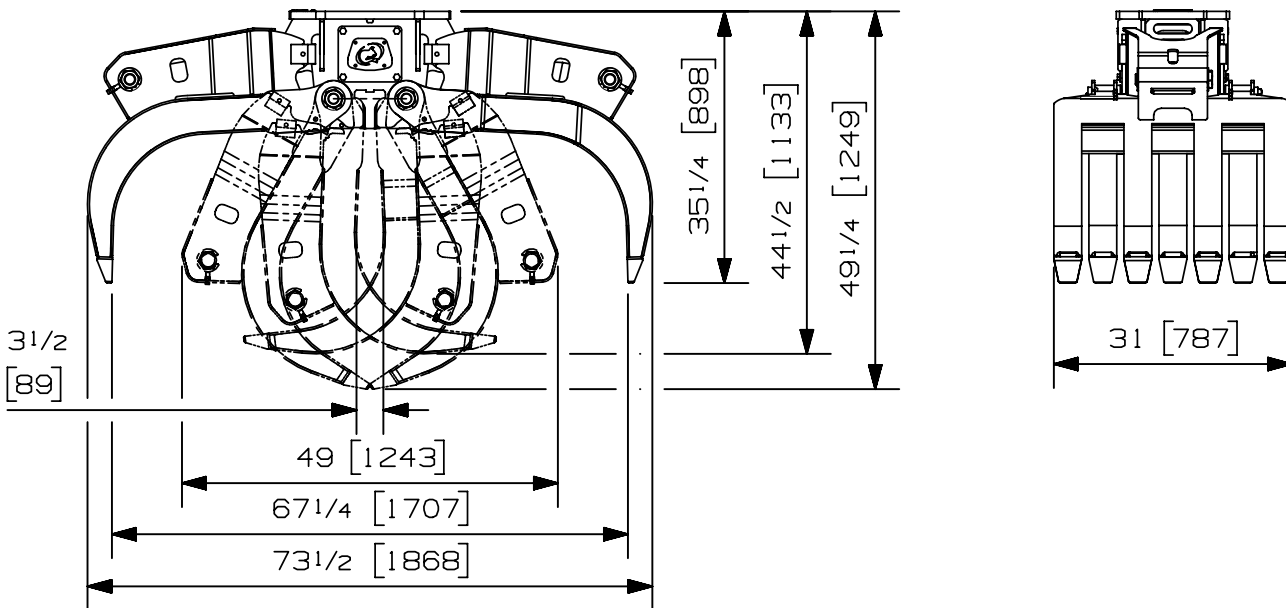


Max load:	n/a lb	n/a kg
Volume:	.23 cord of 8 ft	.83 m ³
Area tip to tip:	3.60 ft ²	.33 m ²
Rotator lifting capacity:	n/a lb	n/a kg
Torque at relief pressure:	n/a lb-in n/a psi	n/a Nm n/a bars
Weight:	1185 lb	538 kg

Rotator	Maximum pressure:	n/a psi	n/a bars	Recommended flow:	n/a gpm	n/a l/min
Rotator recommended flow will produce a speed of 0 rpm						

Cylinder	Diameter	Recommended pressure	Pressure range	Flow range	Lock valves
Standard	3 " (76 mm)	4300 psi (296 bars)	3600-5000 psi (248-345 bars)	10-15 gpm (38-57 l/min.)	no
Standard	3 1/2 " (89 mm)	3000 psi (207 bars)	2500-3500 psi (172-241 bars)	14-21 gpm (53-79 l/min.)	no

Grapple cylinder maximum flow will theoretically produce a complete grapple open/close cycle in 4 seconds.



Options:

- CounterBalance valve option (9 lbs / 4 kg)
- Mini heel set (22 lbs / 10 kg)
-
-

web site: www.rotobec.com

email: rotobec@rotobec.com

Rotobec Inc.: Head office serving OEM's and Eastern Canada Ph: (418) 383-3002 Fax: (418) 383-5334
Rotobec West: Branch serving Western Canada and Western USA Ph: (250) 765-1161 Fax: (250) 765-0035
Rotobec USA: Branch serving Eastern and Central USA Ph: (603) 444-2103 Fax: (603) 444-0327