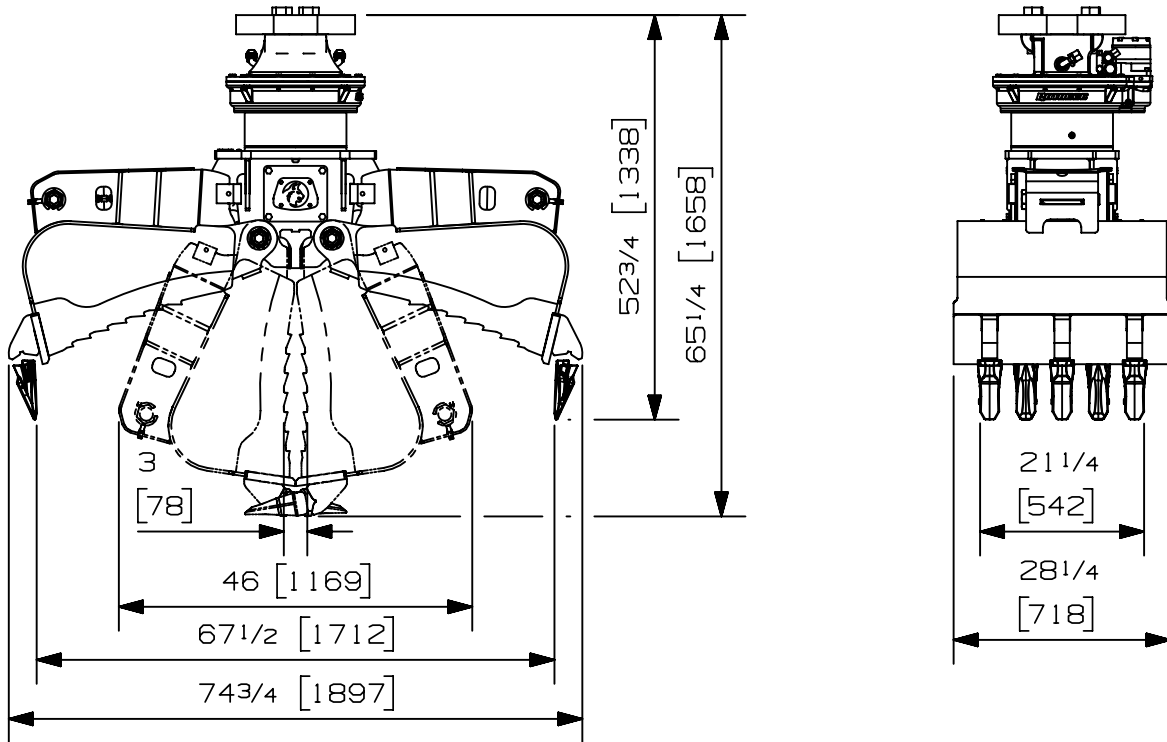


Max load:	- lb	- kg
Volume:	.37 y <sup>3</sup>	.28 m <sup>3</sup>
Area tip to tip:	- ft <sup>2</sup>	- m <sup>2</sup>
Rotator lifting capacity:	100000 lb	45359 kg
Torque at relief pressure:	21770 lb-in 913 psi	2460 Nm 63 bars
Weight:	2075 lb	941 kg

Rotator	Maximum pressure: 4200 psi    290 bars	Recommended flow: 6 gpm    23 l/min
Rotator recommended flow will produce a maximum speed of 10 rpm		

Cylinder	Diameter	Recommended pressure	Pressure range	Flow range	Lock valves
Standard	3 " (76 mm)	4300 psi (296 bars)	3600 - 5000 psi (248-345 bars)	10 - 15 gpm (38-57 l/min.)	No
Standard	3 1/2 " (89 mm)	3000 psi (207 bars)	2500 - 3500 psi (172-241 bars)	14 - 21 gpm (53-79 l/min.)	No

Grapple cylinder maximum flow will theoretically produce a complete grapple open/close cycle in 4 seconds.



**Options:**

- Load Holding valve (20 lbs / 9 kg)
- 
- See also RGP-1002 Option for more options
- 

web site: [www.rotobec.com](http://www.rotobec.com)

email: [rotobec@rotobec.com](mailto:rotobec@rotobec.com)

**Rotobec Inc.:** Head office serving OEM's and Eastern Canada    Ph: (418) 383-3002 Fax: (418) 383-5334  
**Rotobec West:** Branch serving Western Canada and Western USA    Ph: (250) 765-1161 Fax: (250) 765-0035  
**Rotobec USA:** Branch serving Eastern and Central USA    Ph: (603) 444-2103 Fax: (603) 444-0327

We reserve the right to change specifications and to improve our products without notice or obligation.

07010-7929 D.L.  
05/01/2022