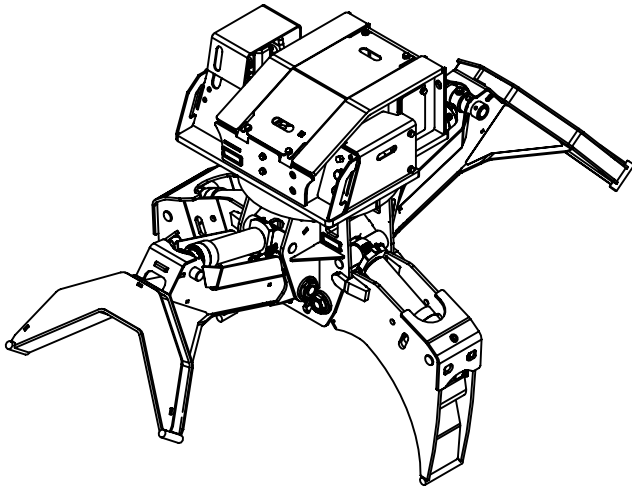


## Butt'n top Grapple B325S RGP-1306

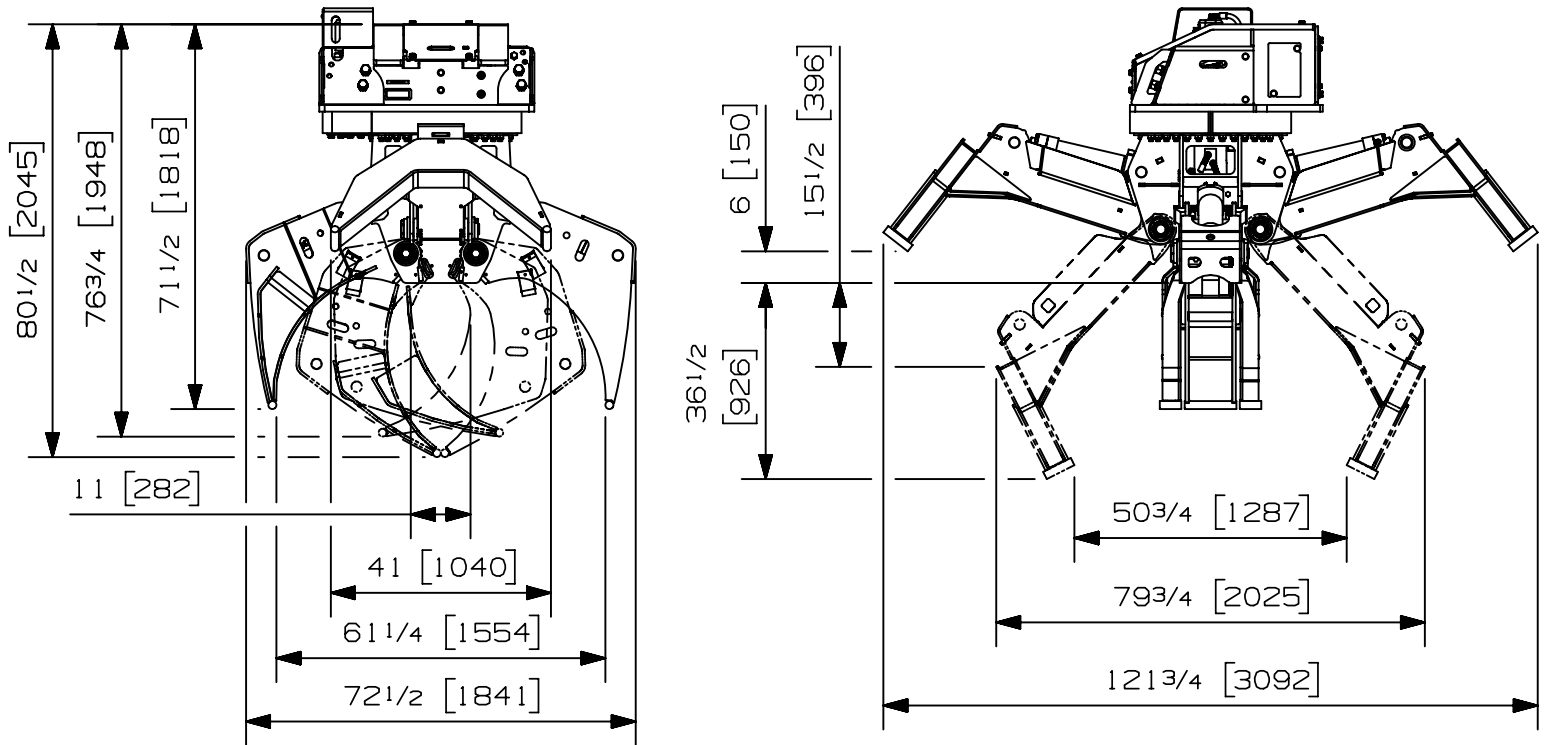


Max load:	n/a lb	n/a kg
Volume:	n/a y <sup>3</sup>	n/a m <sup>3</sup>
Area tip to tip:	3.50 ft <sup>2</sup>	.33 m <sup>2</sup>
Rotator lifting capacity:	130000 lb	58967 kg
Torque at relief pressure:	176750 lb-in 2200 psi	19970 Nm 152 bars
Weight:	4270 lb	1937 kg

Rotator	Maximum pressure: 5000 psi    345 bars	Recommended flow: 33 gpm    125 l/min
Rotator recommended flow will produce a speed of 15 rpm		

Cylinder	Diameter	Recommended pressure	Pressure range	Flow range	Lock valves
Standard	3 1/2 " (89 mm)	4250 psi (293 bars)	3500-5000 psi (241-345 bars)	16-24 gpm (61-91 l/min.)	no

Grapple cylinder maximum flow will theoretically produce a complete grapple open/close cycle in 4 seconds.



Options:

- See also RGP-1306 options for more options

-  
-  
-

web site: [www.rotobec.com](http://www.rotobec.com)

email: [rotobec@rotobec.com](mailto:rotobec@rotobec.com)

**Rotobec Inc.:** Head office serving OEM's and Eastern Canada

Ph: (418) 383-3002 Fax: (418) 383-5334

**Rotobec West:** Branch serving Western Canada and Western USA

Ph: (250) 765-1161 Fax: (250) 765-0035

**Rotobec USA:** Branch serving Eastern and Central USA

Ph: (603) 444-2103 Fax: (603) 444-0327