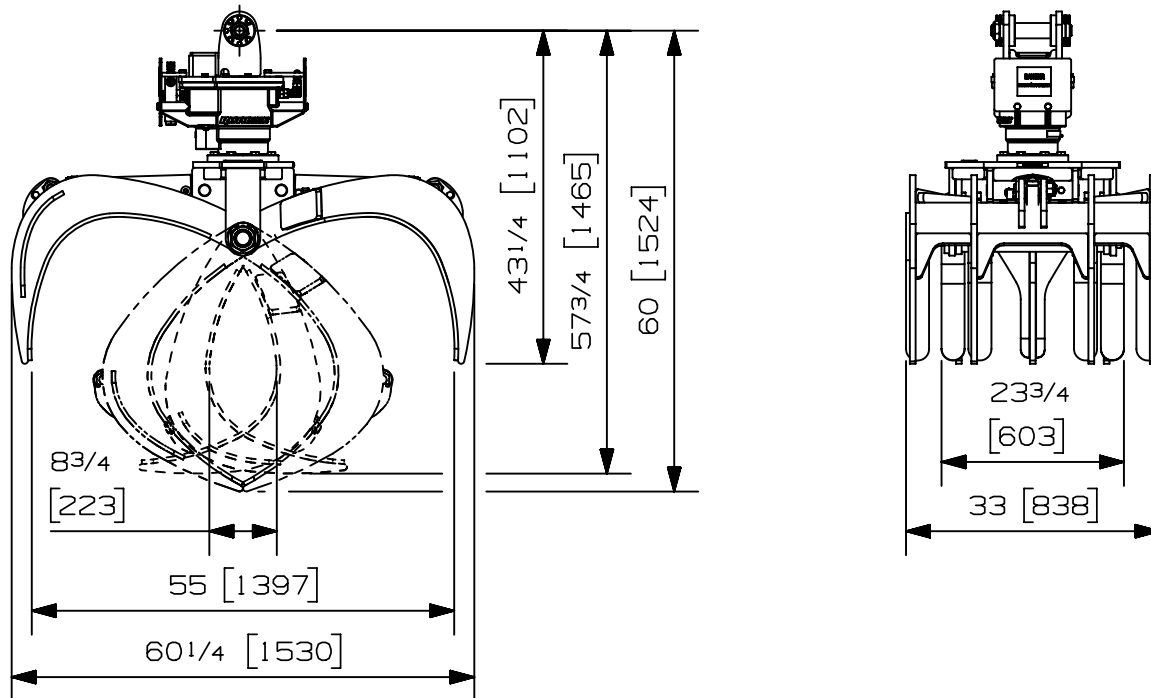


Max load:	- lb	- kg
Volume:	.50 y ³	.38 m ³
Area tip to tip:	3.25 ft ²	.30 m ²
Rotator lifting capacity:	18000 lb	8165 kg
Torque at relief pressure:	8450 lb-in	955 Nm
	913 psi	63 bars
Weight:	1120 lb	508 kg

Rotator	Maximum pressure: 4000 psi 276 bars	Recommended flow: 8 gpm 30 l/min
Rotator recommended flow will produce a maximum speed of 30 rpm		

Cylinder	Diameter	Recommended pressure	Pressure range	Flow range	Lock valves
Standard	3 1/2 " (89 mm)	2350 psi (162 bars)	2000 - 2700 psi (138-186 bars)	16 - 24 gpm (61-91 l/min.)	No
Standard	3 " (76 mm)	3250 psi (224 bars)	2800 - 3700 psi (193-255 bars)	11 - 16 gpm (42-61 l/min.)	No
Standard	3 " (76 mm)	3250 psi (224 bars)	2800 - 3700 psi (193-255 bars)	11 - 16 gpm (42-61 l/min.)	Yes

Grapple cylinder maximum flow will theoretically produce a complete grapple open/close cycle in 4 seconds.



Options:

-
-
-
-

web site: www.rotobec.com

email: rotobec@rotobec.com

Rotobec Inc.: Head office serving OEM's and Eastern Canada Ph: (418) 383-3002 Fax: (418) 383-5334
Rotobec West: Branch serving Western Canada and Western USA Ph: (250) 765-1161 Fax: (250) 765-0035
Rotobec USA: Branch serving Eastern and Central USA Ph: (603) 444-2103 Fax: (603) 444-0327

We reserve the right to change specifications and to improve our products without notice or obligation.

07010-1004
16/07/20 E.B.L.