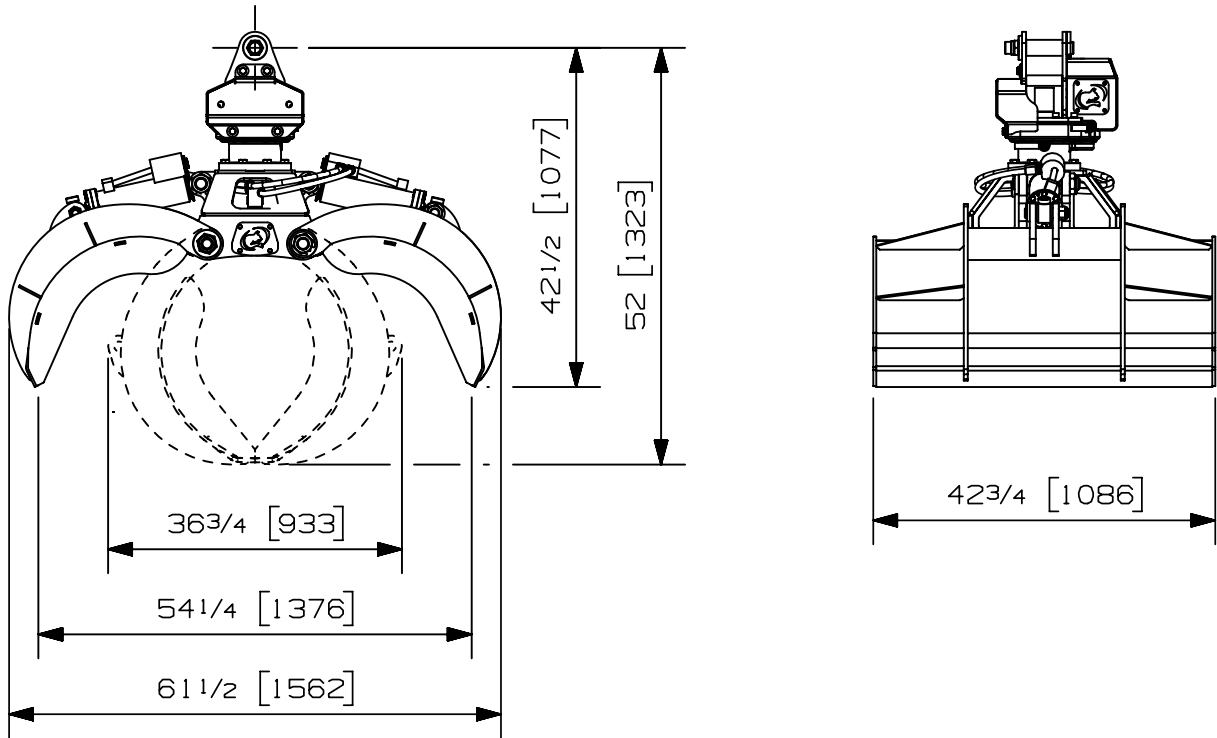


Max load:	n/a lb	n/a kg
Volume:	.64 y ³	.49 m ³
Area tip to tip:	3.23 ft ²	.30 m ²
Rotator lifting capacity:	14000 lb	6350 kg
Torque at relief pressure:	8450 lb-in	955 Nm
	913 psi	63 bars
Weight:	925 lb	420 kg

Rotator	Maximum pressure: 5000 psi 345 bars	Recommended flow: 8 gpm 30 l/min
Rotator recommended flow will produce a speed of 30 rpm		

Cylinder	Diameter	Recommended pressure	Pressure range	Flow range	Lock valves
Standard	3 " (76 mm)	3000 psi (207 bars)	2500-3500 psi (172-241 bars)	7-11 gpm (26-42 l/min.)	yes

Grapple cylinder maximum flow will theoretically produce a complete grapple open/close cycle in 4 seconds.



Options:

-
-
-
-

web site: www.rotobec.com

email: rotobec@rotobec.com

Rotobec Inc.: Head office serving OEM's and Eastern Canada Ph: (418) 383-3002 Fax: (418) 383-5334
Rotobec West: Branch serving Western Canada and Western USA Ph: (250) 765-1161 Fax: (250) 765-0035
Rotobec USA: Branch serving Eastern and Central USA Ph: (603) 444-2103 Fax: (603) 444-0327

We reserve the right to change specifications and to improve our products without notice or obligation.

07007-3533
11/09/17 E.T.