

TECHNICAL DATA

Operating Weight without Attachments

MHL380 F	68.0–71.8 t
----------	-------------

Diesel Engine

	EU Stage V / US EPA Tier 4	EU Stage IIIB / US Tier 3
Manufacturer and model	Deutz TCD 7.8 L6	Deutz TCD 7.8 L6
Design	6-cylinder in-line engine	6-cylinder in-line engine
Functionality	4-stroke diesel, common rail direct injection, turbocharged with intercooler, controlled exhaust gas recirculation, diesel particulate filter with continuous regeneration and SCR catalytic converter	4-stroke diesel, common rail direct injection, turbocharged with intercooler
Engine power	245 kW	245 kW
Rated speed	2,000 rpm	2,000 rpm
Displacement	7.8 l	7.8 l
Cooling system	Water and charge air cooling with temperature controlled fan speed	Water and charge air cooling with temperature controlled fan speed
Exhaust emission standard	EU Stage V / US EPA Tier 4	EU Stage IIIB / US Tier 3
Fuel tank	692 l Diesel	692 l Diesel
DEF / Urea tank	50 l AdBlue	□

Electric Motor

Power	220 kW
Total connected load	270 kW
Motor start	Via soft start
Optional cable reel	Up to 50 metres (other lengths on request)

Electrical System

Alternator	28 V / 100 A
Operating voltage	24 V
Battery	2 × 12 V / 110 Ah / 750 A
Lighting system	2 × LED floodlights at the front of the machine, rear parking lights and indicator lights
Optional equipment	30 kW DC generator with insulation monitoring

Travel Drive

Hydrostatic drive through infinitely variable axial piston motor and directly mounted travel brake valves, all-wheel drive

Travel speed	0–9 km/h
Gradeability	max. 25 %
Turning radius	10.6 m

Swing Drive

Slewing ring	Internally geared double row slewing ring bearing, greasing via automatic lubrication system
Drive	2-stage planetary gear with integrated multi-disc brake
Uppercarriage swing speed	0–5 rpm infinitely variable
Slewing lock	Electrically activated

Undercarriage

Front axle	Planetary drive axle with integrated drum brake, rigidly mounted
Rear axle	Planetary drive axle with integrated drum brake, oscillating axle with selectable oscillating lock
Outriggers	4-point stabilizers
Tyres	Solid rubber 8-ply 14.00-24


Brakes

Service brake	Hydraulically operated braking system, acting on all four wheel pairs
Parking brake	Electrically operated disc brake, acting on both axles

Hydraulic System

Max. pump capacity	1 × 560 lpm and 1 × 150 lpm (for swing drive)
Max. operating pressure	320 / 360 bar
Hydraulic oil tank	531 l
Tool control	Infinitely adjustable pressures for the grab functions open, close and rotation, as well as adjustable flow for the function grab rotation via the display
Cooling system	Separated high-performance cooler with temperature-dependent fan drive

Operator's Cab

Cab	Infinitely variable hydraulic height-adjustable cabin with sliding door. Reinforced steel structure, soundproofed, heat-insulated panoramic windows for best all-round visibility, front window with roller blind, glass panel in the cabin roof with sliding blind. Heating and air conditioning, separate heat exchangers, fresh and recirculated air filters. Multifunction touch display, bottle holder, paper clip and multiple storage and mounting options. Digital radio (DAB+, USB, Bluetooth and hands-free), USB charging station 5V. Vertically adjustable cabin: viewing height of 6.14 m. Vertically and horizontally adjustable cabin (option): 2.2 m forward, with max. viewing height of 6.47 m	
Air conditioning	Automatic air-conditioning. Infinitely variable heating with 8-speed fan, 10 adjustable air nozzles, 3 defroster nozzles.	
Operator's seat	Air-cushioned comfort seat with swinging armrests / joysticks, safety belt, lumbar support and headrest. Enables fatigue-free work due to universal adjustment options for the seat position, seat inclination and the arrangement of the seat cushion in relation to the armrests and joysticks.	
Monitoring	Ergonomically arranged, glare-free Multifunction display. Automatic monitoring and storage of deviating operating states (e.g. all hydraulic oil filters, hydraulic oil temperature – coolant and charge air temperature – diesel particulate filter loading, steering), visual and audible warning. Diagnostic option for the individual sensors via the multifunction display. Rear view and side view camera on the right with separate monitor.	
	EU Stage V / US EPA Tier 4	EU Stage IIIB / US Tier 3
Noise level	Sound power level (ambience) L_{WA} 102.7 dB(A) (metered) acc. to directive 2000/14/EC L_{WA} 104 dB(A) (guaranteed) acc. to directive 2000/14/EC Sound pressure level (inside the cabin) acc. to directive ISO 6396 L_{PA} 71 dB(A)	Sound power level (ambience)  Sound pressure level (inside the cabin)
Vibrations	Weighted r.m.s. value of acceleration of upper limbs: under 2.5 m/s ² (98 in/s ²) Weighted effective value of acceleration for the seat and feet: under 0.5 m/s ² (20 in/s ²)	

Certified in accordance with CE regulations

EQUIPMENT

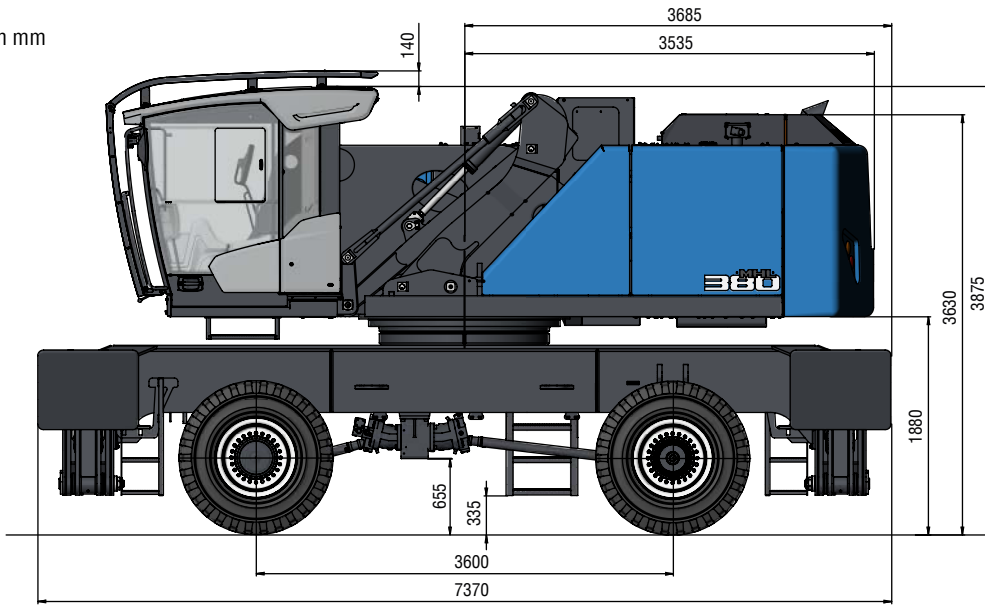
Diesel Engine	Standard	Option	Operator's Cab	Standard	Option
Water and charge air cooler	●		Windshield washer system	●	
Temperature-dependent fan drive	●		Washing device for roof window		●
Reversible fan		●	Roof window clear glass	●	
Direct electronic fuel injection / common rail	●		Air-cushioned operator seat with headrest, seatbelt and lumbar support	●	
DEF injection, passive regeneration	●		Seat heating		●
Advanced automatic idle incl. engine shut-off function	●		Joystick steering	●	
ECO and Power Mode	●		Steering column, height and tilt adjustable		●
Engine preheating		●	Air Conditioner	●	
Engine diagnostics interface	●		Auxiliary heating incl. timer		●
Undercarriage			Multi-function display	●	
All-wheel drive	●		Document clip	●	
Disk brakes	●		FOPS Guard		●
Rear axle oscillating lock	●		Cabin front and top guard		●
4-point stabilizers	●		12 V transformer		●
Stabilizer cylinder with integrated, double-sided shut-off valves	●		Digital radio (DAB+, USB, Bluetooth and hands-free system)	●	
Piston rod protection for support cylinder	●		12V socket / cigarette lighter		●
Tool box	●		Fire extinguisher, dry powder with holder		●
Special paint		●	Travel alarm with rotating beacon		●
Solid rubber 8-ply 14.00-24	●		Other Equipment		
Uppercarriage			30 kW DC generator		●
Separated high-performance cooling system	●		Close proximity range limiter for dipper stick	●	
Hydraulic oil cooler with temperature-dependent fan drive	●		Coolant and hydraulic oil level monitoring system	●	
Reversible fan		●	Overload and working area control		●
Automatic central lubrication system	●		Filtration system for attachments		●
Rear view camera	●		Rupture valves for lifting cylinders	●	
Side view camera	●		Rupture valves for stick cylinders	●	
Travel alarm		●	Overload warning device		●
Electric refuelling pump		●	Quick coupling on dipper stick	●	
Light protection		●	Active cyclone prefilter		●
Special paint		●	Hydraulic oil preheating		●
Operator's Cab			Lubrication of the grab suspension by central lubrication system	●	
Vertically adjustable cabin	●		LED head lights at the front of the machine	●	
Vertically and horizontally adjustable cabin		●	LED light packages		●
Single-pane safety glass (ESG)	●		Float switch		●
Cabin tinted windows (side, rear)	●		Tool control	●	
Sliding window in cab door	●		Fuchs Connect telematics system, incl. 5 years contract	●	
Cabin with penetration resistant glass front and top (classification P5A)		●			
Cabin with bullet-proof glass (classification P8B)		●			

DIMENSIONS

Vertically adjustable cabin

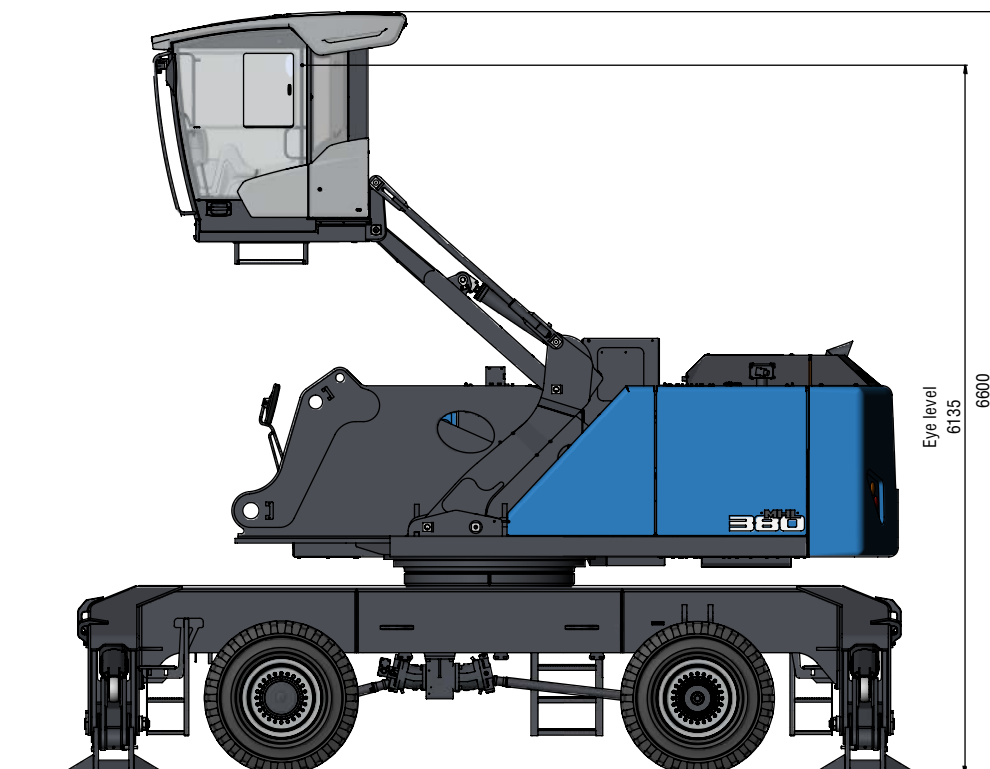
Side view

all dimensions in mm



Side view

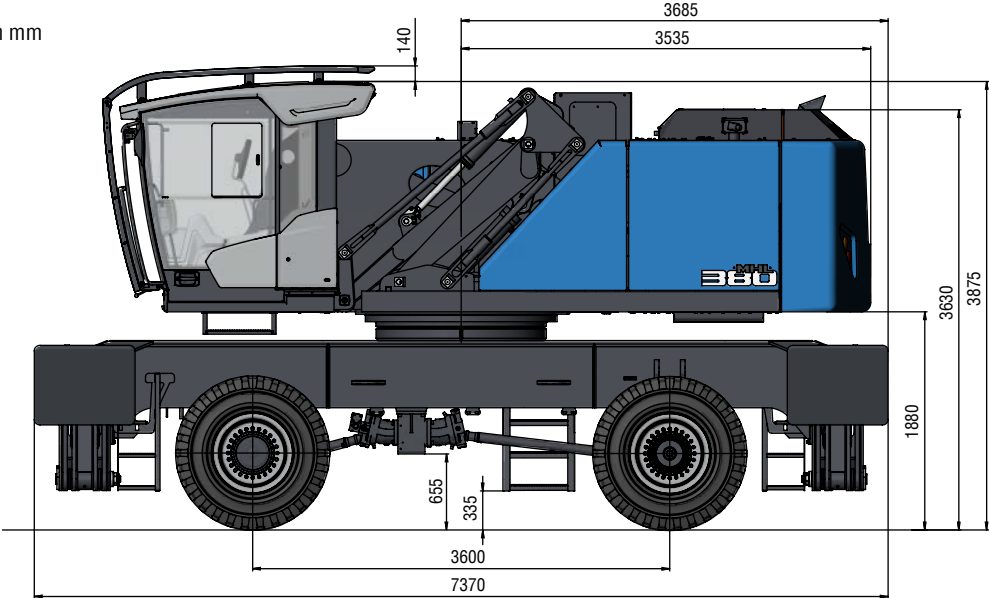
all dimensions in mm



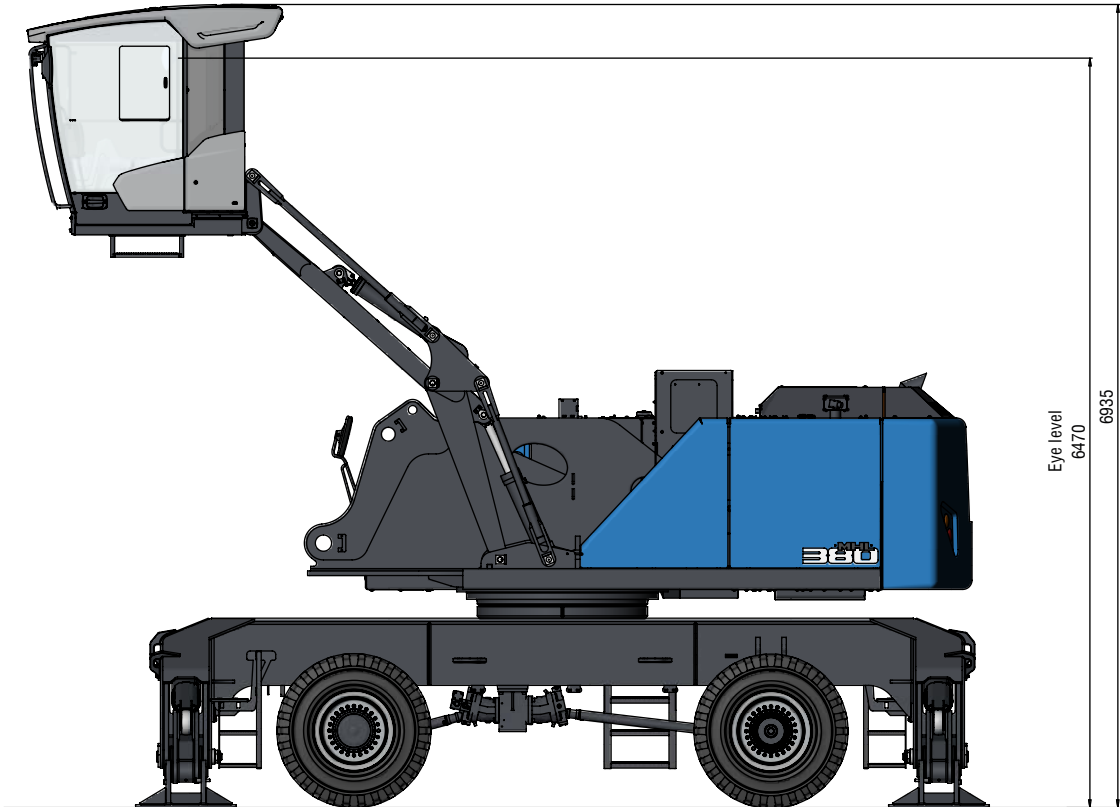
DIMENSIONS

Vertically and horizontally adjustable cabin*

Side view
all dimensions in mm



Side view
all dimensions in mm

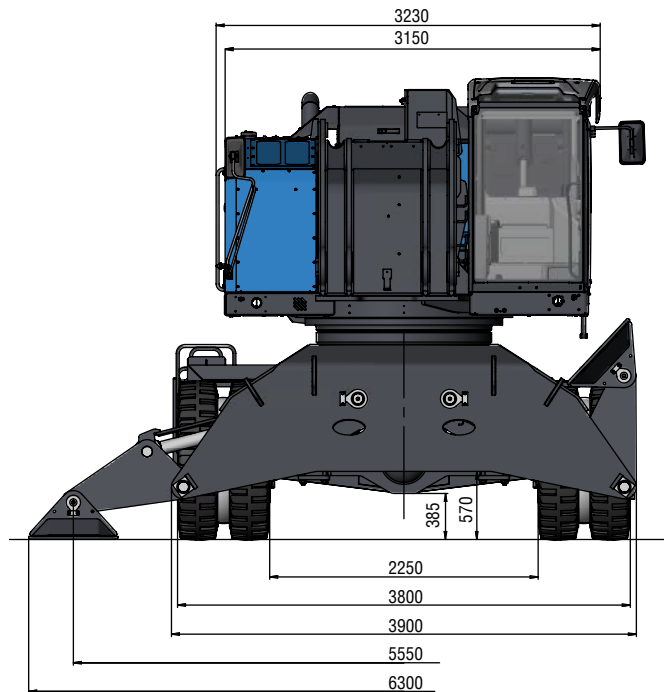


* Option

DIMENSIONS

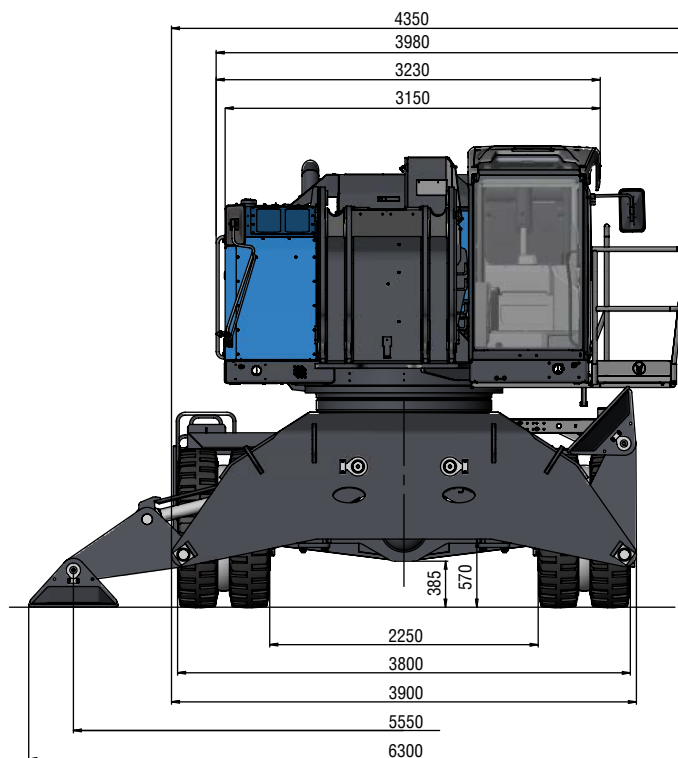
Front view

all dimensions in mm



Front view with catwalk

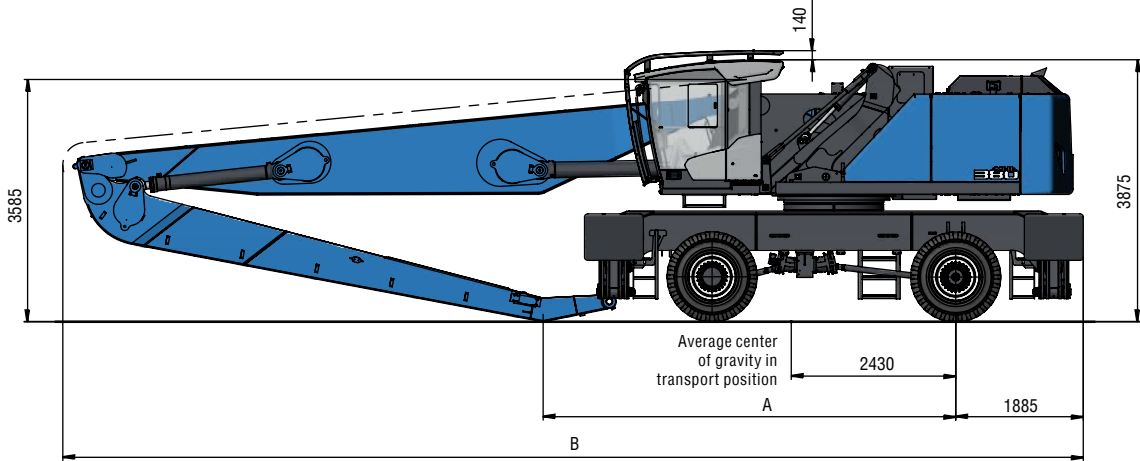
all dimensions in mm



TRANSPORT DIMENSIONS

Loading equipment with dipper stick

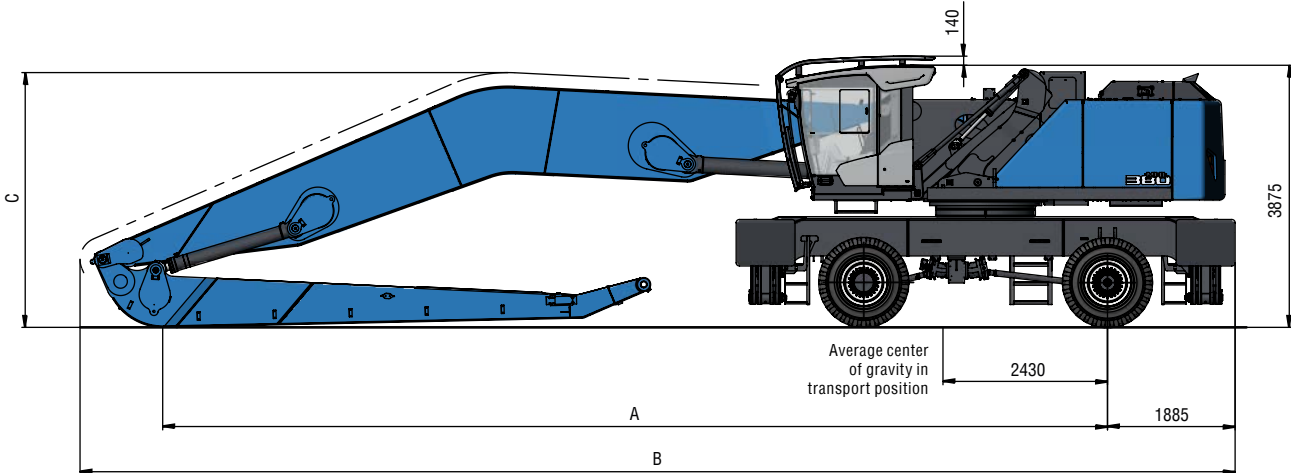
all dimensions in mm



Reach	18 m	20 m	22 m
A	6100 mm	7935 mm	5720 mm
B	15080 mm	16975 mm	17010 mm

Loading equipment with banana boom

all dimensions in mm



Reach	20 m	22 m
A	13955 mm	9725 mm
B	17065 mm	17070 mm
C	3765 mm	3785 mm